

Custom made collets

Technical Data for special collets with long nose

Sketch for special collet with long nose

(please fill in/complete)

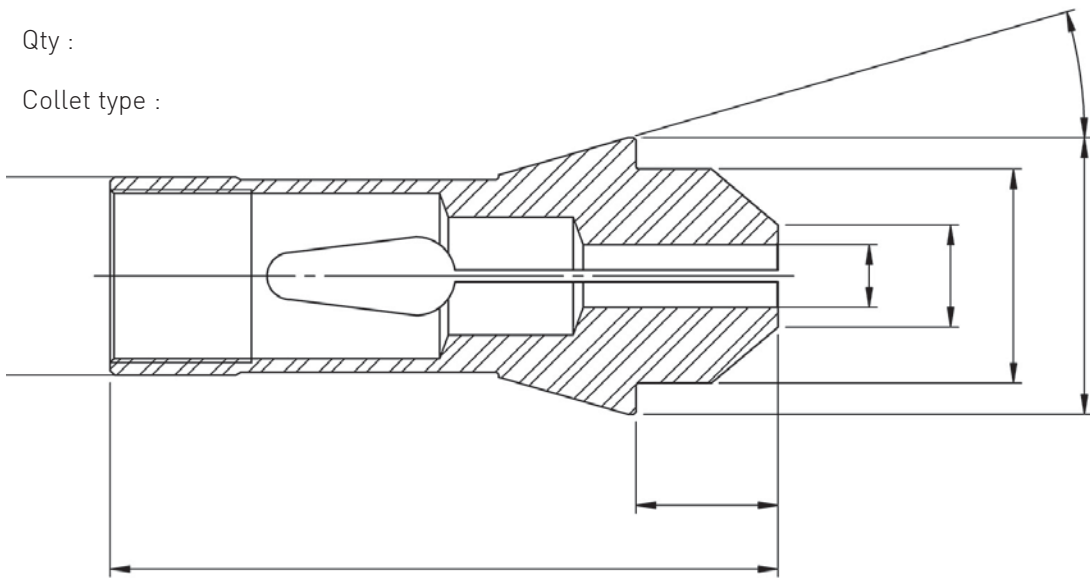
Company : _____

Sketch for :

- Enquiry Purchase order

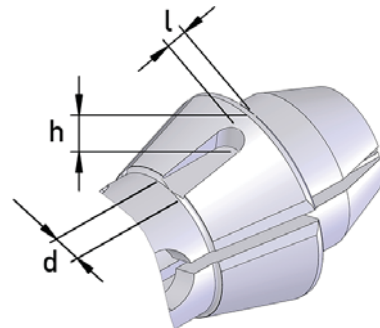
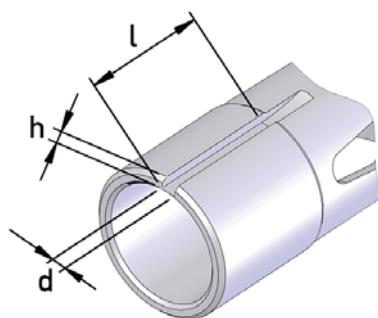
Qty :

Collet type :



- Steel Carbide bore with key way on shank with key way on conus

- CuBe
 Phenol
 Croco
 -3 mm in the back
 with extractor



Notes : _____

