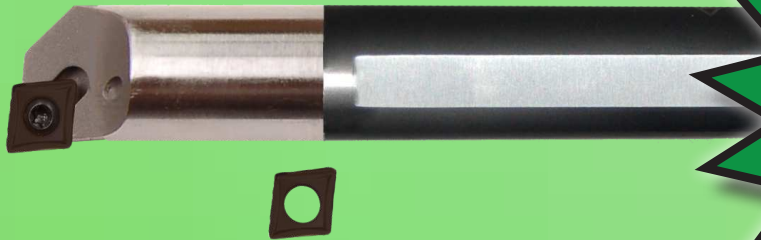




EVEREDE MINI SETS PROMO



**ANSI BAR
PROMO
25% Off**

Promotional Period:
1/1/17 - 2/28/17
or While Supplies Last
Terms & Conditions May Apply

Order By This Number

EDP Numbers	Description	Insert	Contents	Shank	Min Bore	OAL	List Price	Promo Price
01334	E08R SCLCR-2/TL120 MS	CCGT-21.51 TL120	(1) carbide bar	.500	.600	8	\$226.36	\$170.00
01335	E08R SCLCR-3/TL120 MS	CCGT-32.51 TL120	(2) TiALN coated carbide inserts (1) insert wrench	.500	.600	8	\$226.36	\$170.00
01336	E08R SCLPR-2/TL120 MS	CPGT-21.51 TL120	(1) carbide bar	.500	.600	8	\$226.36	\$170.00
01337	E08R SCLPR-3/TL120 MS	CPGT-32.51 TL120	(2) TiALN coated carbide inserts (1) insert wrench	.500	.600	8	\$226.36	\$170.00

Work Material	SFM	Max in/rev		Max DOC		Industries	Material Groups	Benefits
		21.51	32.51	21.51	32.51			
High Temp Alloys	60-300	.010	.012	.020	.090	Aerospace Medical Power Generation Automotive	High Temp Alloys Stainless Steel General Purpose Cast Iron	Performs well wet or dry Molded chip groove Universal grade Ground insert
Stainless Steel	250-800	.010	.012	.020	.090			
Steel	300-900	.010	.012	.020	.090			
Cast Iron	200-1500	.010	.012	.020	.090			

THE ONE

TL120 grade suitable for multiple industries, broad range of material groups, and wide range of applications.



- Large On -Hand Inventory
- We Bore Deeper Better.
- Fast Delivery On Modifications And Specials.
- We Want To Be Your First Choice For Screw On Insert Boring Bars.
- Best Prices In The Industry



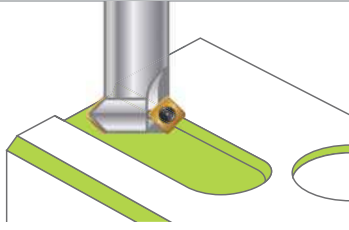


Indexable Mini Set

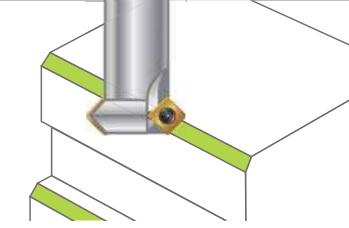
(Holder With 2 Inserts)

Save Big
25% Off

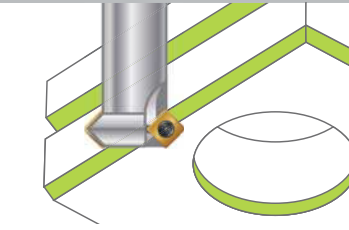
Face Milling



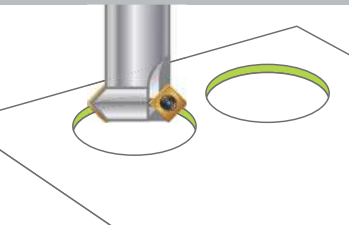
Chamfering



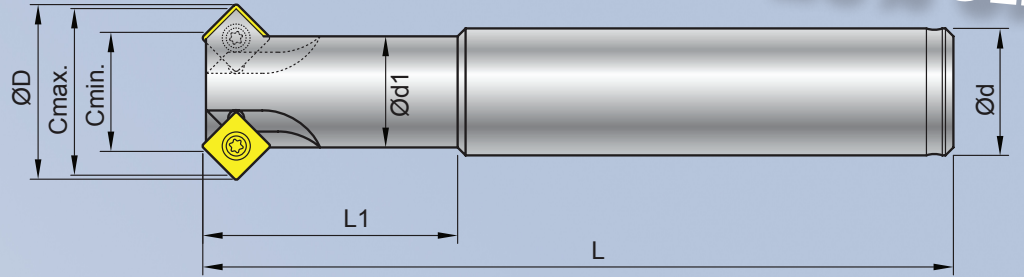
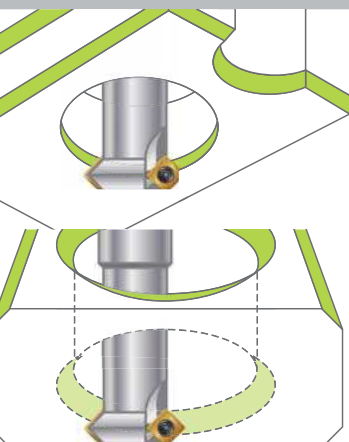
Back Chamfering



Countersink



Back Circular Chamfering

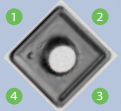


EDP No.	Description	ØD	Ød	Ød1	L	L1	Cmax.	Cmin.	Insert	Content	List Price	Promo Price
20096	99616-C10-32-02S	12	10	7.5	60	15	11	7	N9GX04T002-NC2032	1 x Holder 2 x Inserts	\$210.70	\$160.00
20097	99616-C10-71-02S	12	10	7.5	60	15	11	7	N9GX04T002-NC9071	1 x Key		
20098	99616-C20-32-02S	16.2	12	9.6	100	25	16	11	N9GX04T002-NC2032	1 x Holder 4 x Inserts	\$253.40	\$190.00
20099	99616-C20-71-02S	16.2	12	9.6	100	25	16	11	N9GX04T002-NC9071	1 x Key		

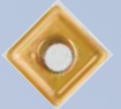
** For Complete Tool Data & Cutting Parameters Visit www.Everede.net **

► Features >>

- Benefitting from the specially ground dual-relief insert and optimized coating, higher feed rates and cutting speeds can be achieved on chamfering operations.
- Each insert has **4 cutting** edges, reducing cost of inserts.
- Fine edge honning cutting edge, good chip breaking condition and long tool life.
- C10 holder has (2) flutes
- C20 holder has (4) flutes



NC2032



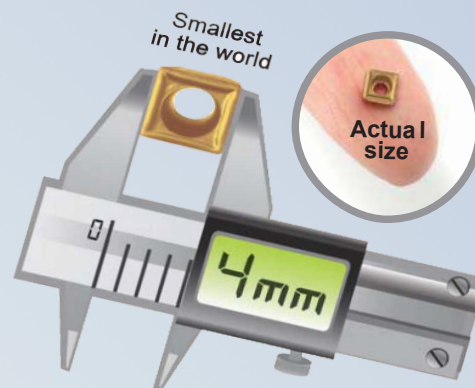
NC9071

► Inserts >> Max Chamfering .059"

NC2032: • K20F grade, AlTiN coated. The 1st choice for high carbon, high alloy and hardened steels as well as cast iron.

NC9071: • K20F grade, TiN coated, high positive rake angle and honed sharp edge.

The best choice for low carbon steel, low carbon alloy steel, stainless steel, Al, Al-alloy, Brass, Bronze and most of the non-ferrous metal.



E® **EVEREDE TOOL COMPANY**

5296 N. Northwest Highway Chicago, Illinois 60630 / TEL: 800-621-5486
Visit www.everede.net for detailed product information.

Promotional Period: 1/1/17 - 2/28/17
While Supplies Last Terms & Conditions May Apply

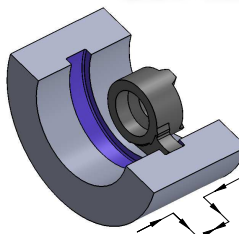
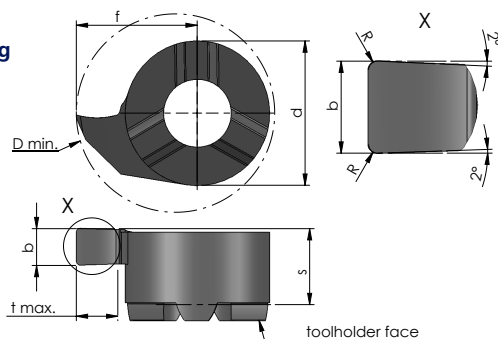
MINICUT

grooving, boring and profiling

Minicut Benefits:

- New Inch Sizes.
- Interchangeable with most competitors.
- **TiALN coated grade at a great price.**

Right hand (R): as shown.
 Left hand (L): mirror image.
 Dimensions in mm.



1ST QUARTER PROMO
BUY ANY 5 INSERTS BELOW
GET 1 FREE

PLEASE USE
 PROMO CODE
1Q17

EDP number (order number)	Description	b +0.03	b (inch)	R	f	s	d	Ap max.*	t max.	D min.	U.S.A. Stock		Toolholder type	List price
											AL41F			
73571 [†]	RS08.079.02	0.79	0.031 [″]	0.2	4.8	3.3	6	0.2	1.0	8	●			
72275 [†]	RS08.117.02	1.17	0.046 [″]	0.2	4.8	3.3	6	0.2	1.0	8	●	611	\$19.39	
73575 [†]	RS08.157.02	1.57	0.062 [″]	0.2	4.8	3.3	6	0.2	1.0	8	●			
72267 [†]	RS11.078.02	0.78	0.031 [″]	0.2	6.7	4.2	8	0.2	2.3	11	●			
72268 [†]	RS11.117.02	1.17	0.046 [″]	0.2	6.7	4.2	8	0.2	2.3	11	●	608	\$19.25	
72269 [†]	RS11.157.02	1.57	0.062 [″]	0.2	6.7	4.2	8	0.2	2.3	11	●			

*Ap max. = maximum depth of cut (depending on material). Order example: right hand version and grade RS14.200.02/AL41F. Left hand available upon request. †=New Expanded Inch Items

For A List Of Complete Sizes Available Visit www.everede.net

ULTRAMINI

ULTRAMINI PROMO KIT = ~~\$384⁰⁸~~ \$250⁰⁰



Comes with integrated lid, not shown.

KIT ORDER INFO

EDP No.
72276

Description
SET63-UM-0750

No Promo Code
Necessary

Benefits of the Ultramini System

- Sharpest cutting edge in the industry
 - Longer tool life
 - Reduced cutting forces
 - Excels in Medical and Aerospace materials
- Extremely repeatable
 - .0004" Axial and Radial repeatability
 - Precision ground shanks
 - 2 insert clamping screws
- Distinct advantages
 - Coolant channel in the shank
 - 2 holders accommodate 1000s of inserts
 - Holder prices are more economical than competitors

Each Kit contains:

EDP Number	QTY	Description	Long Description
70727	1	645.G01905-D	19.05 mm (.75") x 90 mm (3.54") holder
70744	1	676.G01905-D	
71907	2	R050.3-16/AL4F	3 mm (.118") x 16 mm (.628") loc UM insert
72008	2	R050.6-35/AL4F	6 mm (.236") x 16 mm (1.378") loc UM insert

All in a convenient case with molded foam insert, as shown on the left.

New ULTRAMINI Tools

GEOMETRIES, SUBSTRATES AND COATINGS DESIGNED FOR SPECIFIC INDUSTRIES:

MEDILINE: Medical Line

XTRALINE: Aerospace Line

HARDLINE: Hard Part Machining

Contact us to discover the unique characteristics of these specialized tools.



EVEREDE TOOL COMPANY

5296 N. Northwest Highway Chicago, Illinois 60630 / TEL: 800-621-5486
 Visit www.everede.net for detailed product information.

Promotional Period: 1/1/17 - 2/28/17
 While Supplies Last Terms & Conditions May Apply